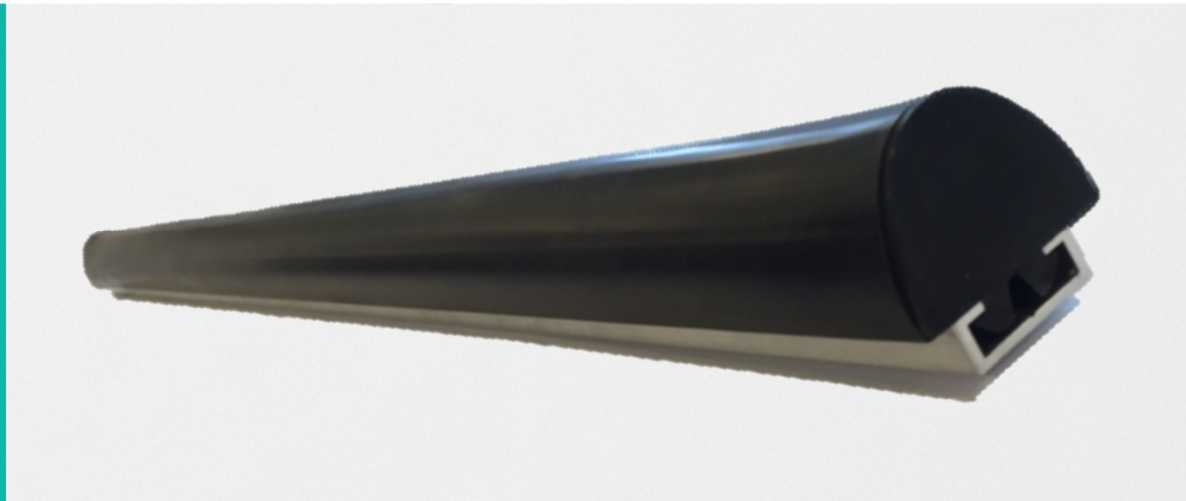


Protection of the closing edge.  
Withstanding the elements.  
Installing convenience.

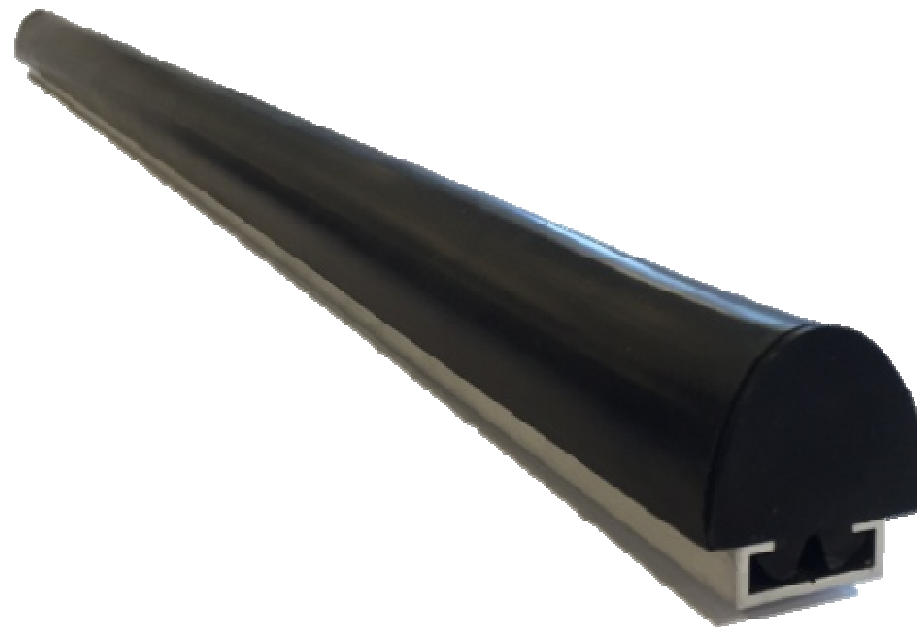
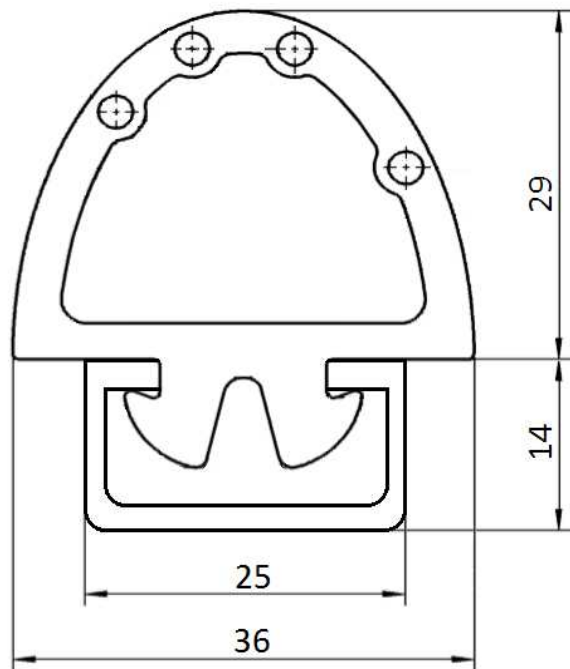
TaLe-900  
Tactile Ledge



## TaLe-900

Perfect control of the closing edge at  
doors, gates or windows

**TaLe-900**



## Advantages

- The sensor is a special optical fiber, which reacts to small deformations or distortions.
- The optical fiber inside the rubber profile is protected from any damage or ambient conditions.
- The sensor has no electronic component so it is resistant to electromagnetic disturbance.

## Advantages

- The optical fiber offers a perfect surveillance over the whole closing edge.
- The small fiber diameter of 2,2 mm, turns it simple to protect even slim door profiles.
- The control unit can be positioned at any safe place, for example, near the door drive.
- The optical fiber has a 360° sensitivity.

## Typical applications

- Perfect control of the closing edge at doors, gates or windows.
- The main and secondary closing edge can be protected with only one sensor.

## Technical data

### Technical data

#### Elektrical specifications

Operating voltage	24 V DC +25% / - 50%
-------------------	----------------------

#### Output

Signal output	1 PNP output, schort-circuit protected
---------------	--

Switching voltage	30 V DC
-------------------	---------

Switching current	0.2 A
-------------------	-------

Response time	800 ms
---------------	--------

#### Ambiental conditions

Ambient temperature	-30° ... +85°C
---------------------	----------------

Storage temperature	-30° ... +85°C
---------------------	----------------

#### Mechanical specifications

Protection class	IP 67
------------------	-------

Connection	M8x1, 4-pin connector plug
------------	----------------------------

## **Compliance with standards and directives**

- Complies the requirements of VDV 111, Automobile standard 72/245/EWG ( E1 ) and Train standards EN 50121-3-2, EN 50155 and IEC 61373.